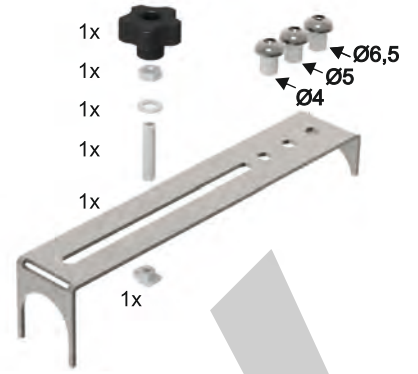
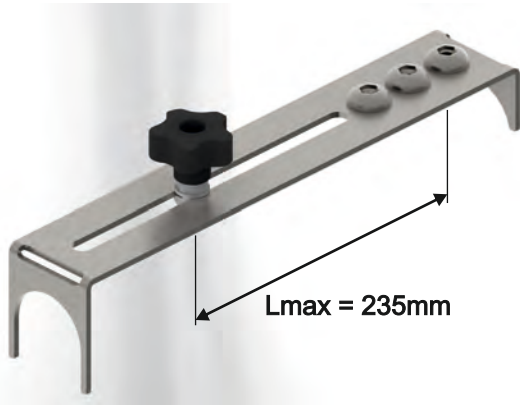
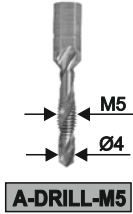


# A/40580-ECO

AISI304



## A



A-DRILL-M5

## B



(HSS-G)

Q8/DRILL-4	Q8/SCREW-M5
Q8/DRILL-5	Q8/SCREW-M6
Q8/DRILL-6,5	Q8/SCREW-M8

(A-DRILL-M5)

